

GENERAL CHARACTERISTICS



Paddle flow switches in compact design. When the set point value is reached, a magnet, fixed to the paddle, actuates the electrical contact housed outside. The electrical contact is separated from the mechanical part and can be replaced without removing the flow switch from the hydraulic circuit. The calibration value is adjustable from the outside even in working condition and when the contact is powered. The electrical connection is realized via cable.

- Hermetic separation between flow chamber and electric head.
- No restrictions on mounting position.
- Low pressure loss.
- Electrical contact selectable N.O. or N.C.
- Insensitive to impurities.



TECHNICAL DATA

Tab.1

Ø	DN Code	Setting ranges		Q max l/min	ΔP max Bar	P max Bar	T max °C	Weight Kg	Dimensions		
		l/min H ₂ O	Code						H	L	X
3/8"	10	2,5 - 3,5	035	10	0,01	25	110	0,35	81	50	10
1/2"	15	4,0 - 4,5	045	20	0,01	25	110	0,35	81	50	10
3/4"	20	5,0 - 6,0	060	40	0,01	25	110	0,35	82	50	12
1"	25	9,5 - 11,5	115	60	0,01	25	110	0,40	86	50	12
1.1/4"	32	13,5 - 17,5	175	80	0,01	25	110	0,55	90	50	12
1.1/2"	40	30 - 38	380	100	0,01	25	110	0,60	93	50	12
2"	50	42 - 53	530	150	0,01	25	110	1,00	102	50	12

Setting ranges for horizontal mounting and decreasing flow.

See Tab.4

Thread Ø	Parallel	UNI 228/1	Accuracy	± 15% F.S.	Hysteresis	15% - min. 0,7 l/min.
----------	----------	-----------	----------	------------	------------	-----------------------

MATERIALS

Tab.2

Description	Code GM	Code GK
	Body	Brass
Flow chamber	Brass	Stainless steel 1.4305
Paddle	Stainless steel 1.4571	Stainless steel 1.4571
Spring	Stainless steel 1.4310	Stainless steel 1.4310
Magnet	Oxid 300	Oxid 300
Reed holder	Brass	Stainless steel 1.4305

ELECTRICAL DATA

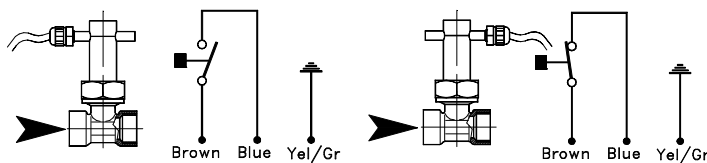
Tab.3

Description	Characteristics				
	Contact	REED	NO (*)	250Vac	1,5A
Electrical output	Reed holder		1,5 m. cable		
Protection	IP65				

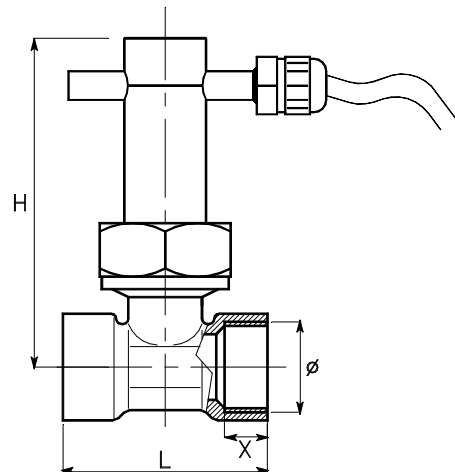
(*) N.C. reversing the position of the reed holder see Tab.4

WIRING AND DIMENSIONS

Tab.4



Code 0225



NOMENCLATURE

UR1	025	GM	115	IP65	0225
•					
	•				
		•			
			•		
				•	
					•

-	Name - Type
Tab.1	Process connections dimensions
Tab.2	Material
Tab.1	Setting range
Tab.3	Degree of protection
Tab.4	Wiring