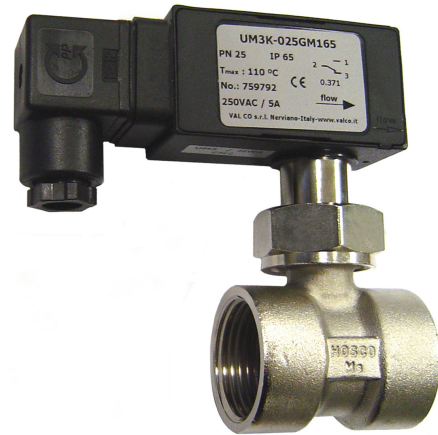


GENERAL CHARACTERISTICS



Paddle flow switches in compact design. When the set point value is reached, a magnet, fixed to the paddle, actuates the electrical contact housed outside in the electric head. The electric head is separated from the mechanical part and can be replaced without removing the flow switch from the hydraulic circuit. The calibration value is adjustable from the outside even in working condition and when the contact is powered. The electrical connection is realized via DIN 43650 plug and PG9 gable gland.



- Hermetic separation between flow chamber and electric head.
- No restrictions on mounting position.
- Low pressure loss.
- Adjustable setting.
- Insensitive to impurities.

TECHNICAL DATA Tab.1

Ø	DN Code	Setting ranges		l/min H ₂ O		Q max l/min	ΔP max Bar	P max Bar	T max °C	Weight Kg	Dimensions		
		UM3K	Code	UR3K	Code						H	L	X
3/8"	10	3,5 - 5,5	055	3,0 - 5,0	050	10	0,01	25	110	0,35	87	50	10
1/2"	15	5,5 - 7,0	070	5,0 - 6,5	065	20	0,01	25	110	0,35	87	50	10
3/4"	20	7,5 - 10,0	100	6,0 - 8,5	085	40	0,01	25	110	0,35	88	50	12
1"	25	14 - 18,0	180	12 - 15	150	60	0,01	25	110	0,40	92	50	12
1.1/4"	32	22 - 30	300	20 - 27	270	80	0,01	25	110	0,55	96	50	12
1.1/2"	40	37 - 50	500	34 - 44	440	100	0,01	25	110	0,60	99	50	12
2"	50	67 - 93	930	54 - 69	690	150	0,01	25	110	1,00	108	50	12

Setting ranges for horizontal mounting and decreasing flow.

Tab.4

Thread Ø	Parallel	UNI 228/1	Precision	± 15% F.S.	Hysteresis	15% - min. 0,7 l/min.
----------	----------	-----------	-----------	------------	------------	-----------------------

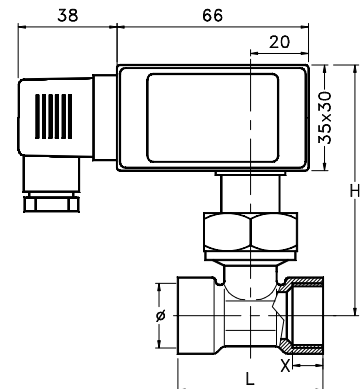
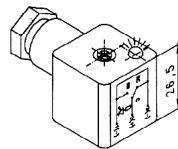
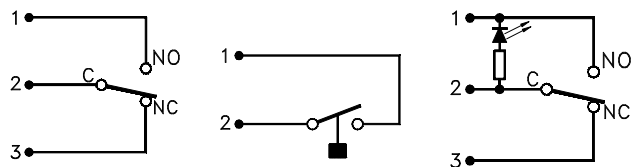
MATERIALI Tab.2

Description	Code GM	Code GK
Body	Nickel plated brass	Stainless steel 1.4571
Flow chamber	Nickel plated brass	Stainless steel 1.4305
Paddle	Stainless steel 1.4571	Stainless steel 1.4571
Spring	Stainless steel 1.4310	Stainless steel 1.4310
Magnet	Oxid 300	Oxid 300
Electric head	Polycarbonate	Polycarbonate

ELECTRICAL DATA Tab.3

Description	Characteristics				
UM3K	MICRO	SPDT	250Vac	5A	-
UR3K	REED	N.O.	250Vac	1,5A	50VA
Electrical output	Plug		DIN 43650A		
Protection	IP65				
Option UM3K					
Diode	LED	Red color integrated in the plug cap			
Voltage	Vac	230	110	48	24 12 To be specified

WIRING AND DIMENSION Tab.4



UM3K = 0371 UR3K = 0372 UM3K = 0208

NOMENCLATURE

UM3K	025	GM	180	IP65	0371
•					
	•				
		•			
			•		
				•	
					•

	Name - Type
Tab.1	Process connection dimensions
Tab.2	Material
Tab.1	Setting range
Tab.3	Degree of protection
Tab.4	Wiring