

# Ajax

## Series **AJ** INDUSTRIAL PRESSURE SWITCH



- Pressure ranges (7 models) covering 0.1– 220 BAR G. (2 – 3200 P.S.I.G.)
- Weather resistant enclosure
- Rugged construction, vibration and shock resistant
- Factory set or field adjustable
- Bellows or diaphragm sensing

The Bamford Ajax AJ series of Industrial Pressure Switches have been designed to provide automatic control and protection of plant and machinery where it is essential to monitor the pressure in pipes and tanks in systems such as hydraulic power packs, high pressure water and pneumatic lines, compressor cooling water circuits, lubricating oil lines and reservoirs. These devices are ruggedly constructed in bronze and utilize a weather resistant switch housing which contains a single pole double throw micro switch. Other switches can be supplied including an Intrinsically Safe version with silver plated noble metal contacts. They will operate over a wide temperature environment and can be mounted in any attitude without affecting performance. Two types of sensing element are available; either a metal bellows for high sensitivity, or a synthetic diaphragm for high over pressure resistance. The standard switch housing can be replaced by ATEX certified (See [leaflet XP2](#)) models on request.

### F. Bamford (Instruments) Ltd.

Ajax Works,  
Whitehill,  
Stockport, SK4 1NT. United Kingdom.

Telephone: 0161-480 6507

Fax: 0161-474 7990

Web: [www.bamfordinstruments.com](http://www.bamfordinstruments.com)  
Email: [sales@bamfordinstruments.com](mailto:sales@bamfordinstruments.com)

# Specifications

## SETTING RANGES

Model No.	Range		Differential		Proof Pressure		Sensing Element
	Bar	LB/IN <sup>2</sup> G.	Bar	LB/IN <sup>2</sup> G.	Bar	LB/IN <sup>2</sup> G.	
AJ/LP/1	0.1-0.7	2-10	0.3	5	20	300	Bellows
AJ/LP/2	0.7-3.5	10-50	0.3	7	20	300	Bellows
AJ/LP/3	3.5-9.6	50-140	0.7	10	20	300	Bellows
AJ/LP/4	9.6-17.2	140-250	1.4	20	20	300	Bellows

**Pressure Connections:**  
BELLOWS TYPE  
3/4" BSP parallel (male).  
Other connections available on request.

Maximum working temperature 95°C

**Switch Housings:**  
Weather resistant

**Conduit entry:**  
M20 x 1.5 pitch

**Materials of construction**  
**Wetted parts:**  
Manganese Bronze BS 2874 CZ114  
Stainless Steel 316  
Phosphor Bronze PB1 BS 2870

**Switch Housing:**  
Aluminium Bronze BS EN 1982 AB2  
Gunmetal (I.S. Unit) BS EN 1982 LG2

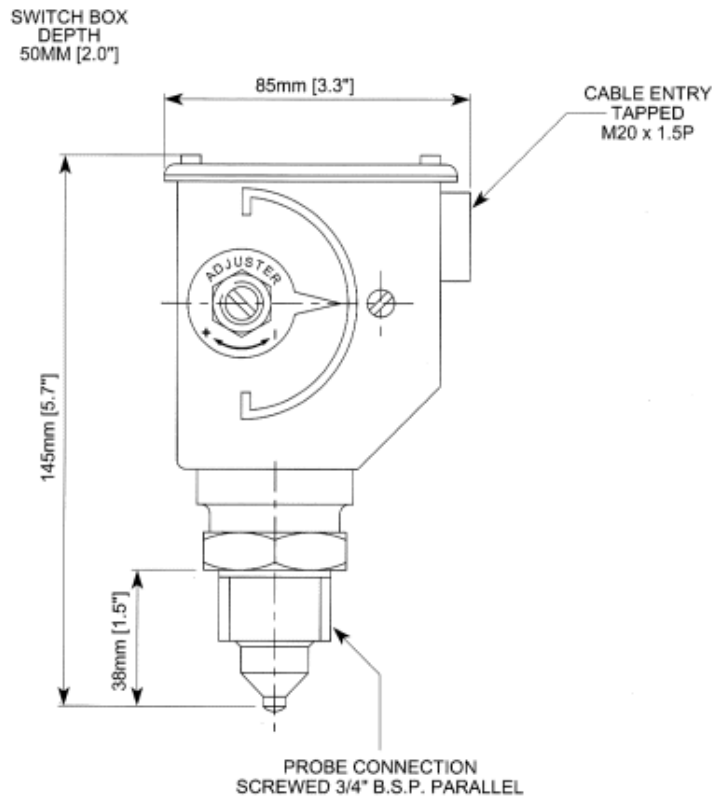
## SWITCH RATING (STANDARD)

VOLTS	DC		AC	
	RES	IND	RES	IND
30	2A	1A		
125	0.5A	0.02A	15A	5A
250	0.25A	0.02A	15A	5A
440	*	*	*	*

\* Alternative switches may be fitted for 440 volts or intrinsically safe circuits.

## DIMENSIONAL DRAWING

### BELLOWS TYPE



Certificate No: FM 13215