

GENERAL CHARACTERISTICS



Adjustable thermostat with liquid expansion principle in compact IP40 execution. This instrument allow the opening or closing of an electrical circuit when the temperature reaches the set point value. A simple and efficient tool for controlling the temperature. The instruments are available with the temperature adjustment up to 210 °C.

The thermostats are supplied with the installation well.

- Good accuracy.
- Compact size.
- Small hysteresis.
- Easy to install.



TECNICAL DATA

Tab.1

Setting range °C	Differential °C	Maximum Temperature °C	Code
0 – 90	4 ± 1K	130	090
40 – 210	9 ± 2K	250	210

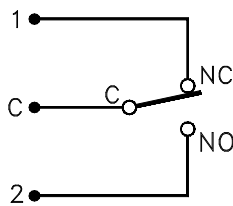
General features				Code
Microswitch	SPDT	250 Vac	10A	7
Adjustment	External – graduated knob			-
Housing	shockproof ABS			-
Electrical output	Cable gland	M20 x 1,5		-
Degree of protection	IP40			IP40

THERMOWELL

Tab.2

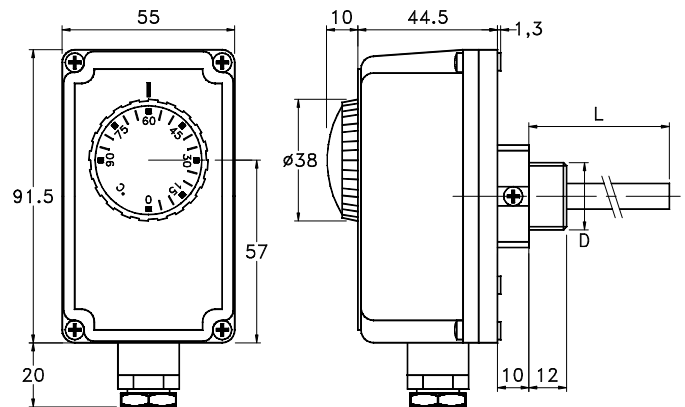
Process connection D			Thread			Materials		Length L	
15	22K	20	N	G	C	O	S	10	20
1/2"	M22x1,5	3/4"	NPT	UNI 228/1	UNI 7/1	Brass	S.S. AISI-316	100 mm	200 mm
On request			On request			On request			

WIRING



DIMENSIONS

Measures in mm.



NOMENCLATURE

TRM.300	210	7	15NO	20	IP40
•					
	•				
		•			
			•		
				•	
					•

	Name - Type
Tab.1	Setting range
Tab.1	Electrical contact
Tab.2	Thermowell connection, thread and material
Tab.2	Thermowell length
Tab.1	Degree of protection