

## GENERAL CHARACTERISTICS



This **universal signal processor** was designed as interface for continuous level sensors with potentiometric output (LC series).

Subsequently evolved until the current version that can be interfaced with any sensor or signal transmitter. This electronic unit handles standard industrial signals 0-5V, 0-10V, 0-20mA, 4-20mA, frequency and potentiometers.

The instrument allows the simultaneous display in digital and analog format (bargraph) of the acquired signal.

The measurement can be represented in percentage format, or in the more common engineering units.

The linearization of the signal is provided, for example, in case of level measurements of cylindrical tanks arranged horizontally. Within the measuring range is possible to program up to six alarms thresholds with SPDT output relay.

The programming is completely digital, with no adjustment trimmers, with saving the operating parameters on a non-volatile EEPROM type memory.



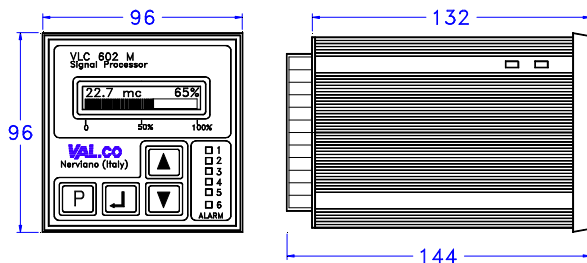
- LCD display with back light.
- Programmable measuring units and range.
- Input signals: (0)4 ÷ 20mA , 0 ÷ 5V, 0 ÷ 10V, 500Ω ÷ 20KΩ, 0,1 ÷ 10000Hz
- Output signals: (0)4 ÷ 20mA , 0 ÷ 5V, 0 ÷ 10V
- Up to 6 alarm thresholds with adjustable differential.
- LED alarm.

## TECHNICAL DATA

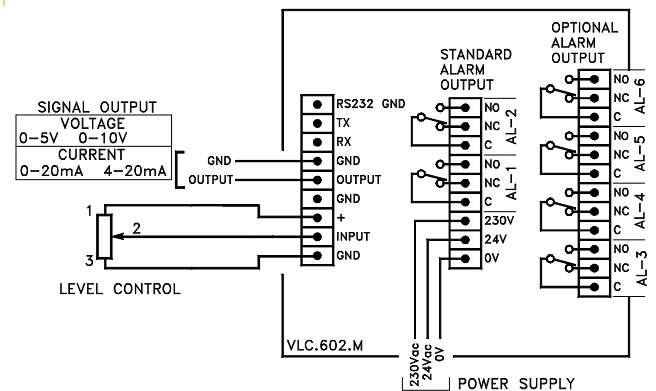
Tab.1

Description	Technical data										Code	
Power supply	24 / 230 Vac (± 10%) / 50/60 Hz										On request <b>24 VDC</b>	<b>230/24AC</b>
Input signal	Potentiometric (500Ω ÷ 20KΩ), 0 ÷ 5V, 0 ÷ 10V, (0)4 ÷ 20mA, Frequency (0,1 ÷ 10000Hz)											-
Analog output	0 ÷ 5V, 0 ÷ 10V, 0 ÷ 20mA, 4 ÷ 20mA											-
Power consumption	10 VA											-
Power supply to sensors	5 / 24 Vdc stabilized											-
Temperature range	-20° ÷ +50° C											-
LCD display	Digital 16 digit - Analog (bargraph) 0 ÷ 100%											-
Measuring units	l	cm <sup>3</sup>	m <sup>3</sup>	%	Pa	Kpa	mmH <sub>2</sub> O	mbar	bar	-		-
	°C	°F	cc/min	l/min	l/h	m <sup>3</sup> /h	m/sec	mm	cm	m		-
Alarms relays	<b>2A</b> x SPDT 230Vac 6A										On request <b>4A / 6A</b>	<b>2A</b>
Alarms display	Red LED											-
Alarms threshold	Adjustable within entire measuring range											-
Alarms hysteresis	Individually adjustable											-
Auxiliary output	RS-232-C ANSI standard communication protocol										On request	<b>RS-232</b>
Housing	Epoxi painted metal plate – shielded against electromagnetic fields											-
Degree of protection	IP40											-
Mounting	Front panel											-
Weight	650g											-

## DIMENSIONS mm.



## WIRING



## NOMENCLATURE

VLC.602.M	2A	230/24CA	RS232
•			
	•		
		•	
			•

	Universal signal processor.
Tab.1	Number of alarm relays, N.2 standard.
Tab.1	Power supply.
Tab.1	Auxiliary output RS232, on request.