

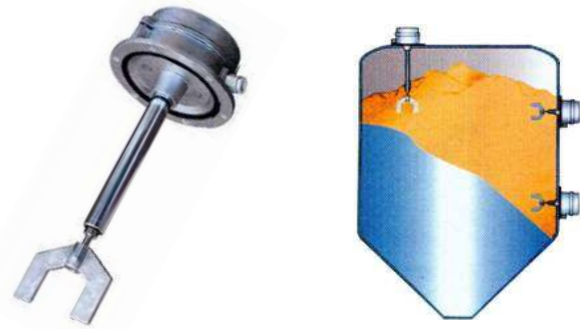
GENERAL CHARACTERISTICS



This level switch, reliable and of robust construction, has been realized to control the storage of dusts, granules and solid products. The system is composed by a rotating shaft driven by a synchronous gear motor at low speed, when the material stops the rotation of the blades will cut off the power supply to the geared motor and it is actuated an electric changeover contact.

Can be activated: alarm signals, stopping conveyor belts, etc.

- **Control of powder material or granular**
- Stainless steel shaft with sealed self-lubricating bearings
- Flanged or threaded connection
- Housing in aluminum or stainless steel
- IP65 protection



TECHNICAL DATA

Tab.1

DIMENSIONS mm.

Process connections

Flanged - Ø158,5	Threaded	Threaded
N. 6 holes M6 on Ø144	1.1/2" Gas-M UNI 228/1	2.1/2" Gas-M UNI 228/1
FWX	40G	65G

Characteristics

• Engine frictioned, anti-break					F	
Power supply	24	48	115	230	Vca	(*)
	24 / 48		115 / 230			
• Motor not frictioned					N	
Power supply	24	-	-	-	Vcc	-
Electrical contact	SPDT		4A - 250Vca			-
	Consumption		3 VA			-
Temperature	-10°C ... +120°C					-
Shaft	Stainless steel AISI 304					-
Paddle	Aluminum					L
	Stainless steel AISI 304					T
Housing	Cast aluminum					L
	Stainless steel AISI 304					T
Electrical connection	N. 2 cable-gland 3/8"					-
Protection	IP65					IP65

(*) to be specified. See Nomenclature

LENGTHS A / B

Tab.2

• Connection FWX

A	55	80	200	400	600	700	900						
B	150	170	300	500	700	800	1000						
A (*)	55	55	80	80	200	200	200	400	400	400	600	600	700
B (*)	300	500	300	500	500	700	800	700	800	1000	800	1000	1000

• Connection 40G - 65G

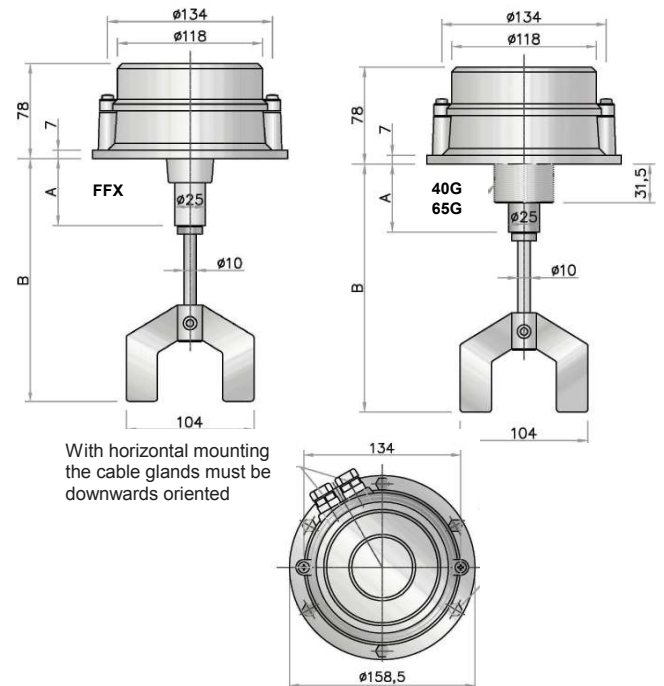
A	-	80	200	400	600	700	900						
B	-	170	300	500	700	800	1000						
A (*)	80	80	200	200	200	400	400	400	600	600	700		
B (*)	300	500	500	700	800	700	800	1000	800	1000	1000		

(*) on request

NOMENCLATURE

LPM	FWX	200/300	L	L	F	24/48	IP65
•							
	•						
		•					
			•				
				•			
					•		
						•	
							•

-	Type
Tab.1	Process connection
Tab.2	Length A / B
Tab.1	Paddle material
Tab.1	Housing material
Tab.1	Motor type
Tab.1	Power supply
Tab.1	Protection



WIRING

