

GENERAL CHARACTERISTICS



The flow switches of EFK series, suitable for liquid and gaseous fluids, are of calorimetric type. The absence of moving parts makes them especially suitable for use with liquids contaminated and when a very low pressure loss is required.

The facility of installation and the high speed response put this series of flow switches at the top of the category of the calorimetric system.

- Local indication of the flow rate.
- No moving parts.
- No pressure loss.
- Easy to calibrate.
- Insensitive to impurities.



EFK2



EFKP

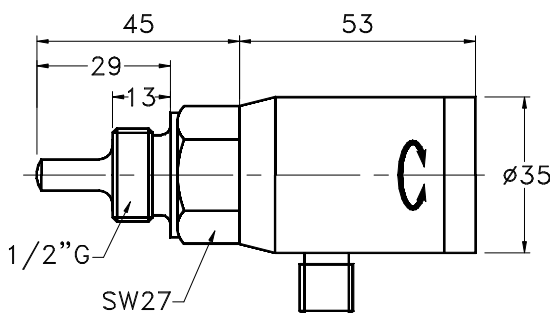
TECHNICAL DATA

Tab.1

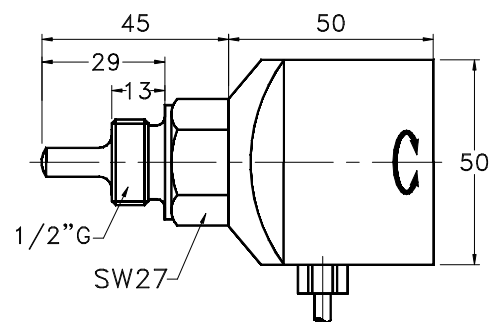
		EFK2		
Setting range (Bold = standard value)	cm/s	2 - 150	3 - 300	H ₂ O
		On request		Oil
Max. pressure	Bar	100	200 - On request	
Max. temperature	°C	70		
Temperature gradient	K/s	4		
Accuracy	-	± 10% F.S.		
Response time	-	1.. 3 seconds - ref. H ₂ O		
Status indicator	LED	Red	<	Green >
Setting	1 turn potentiometer			
Power supply	24Vac/dc		±10%	
Output Galvanic separation	O	N.O. Relay	2A-30Vac/dc	
	P	PNP	24V - 100mA	
	N	NPN		
Electrical connection	S	M12 x 1	4 poles	
Process connection	015H	1/2" UNI 228/1	Standard	
	008H	1/4" UNI 228/1	On request	
Sensor length connection included	029	29,6 mm	Standard	
	045	45,0 mm	On request	
Materials	K	Wet parts	S.S. 1.4571	
	-	Other parts	S.S. 1.4305	
	-	Housing	-	
Degree of protection	IP65			
Weight	Kg	0,3		

		EFKP			
Setting range (Bold = standard value)	cm/s	2 - 150	3 - 300	H ₂ O	
		On request		Oil	
Max. pressure	Bar	100	200 - On request		
Max. temperature	°C	70			
Temperature gradient	K/s	4			
Accuracy	-	± 10% F.S.			
Response time	-	1.. 3 seconds - ref. H ₂ O			
Status indicator	LED	Red	1 <	Green	2 < > 9
Setting	1 turn potentiometer				
Power supply	24 Vdc		±20%		
Output Galvanic separation	O	-		-	
	P	PNP		24V - 100mA	
	N	NPN			
Electrical connection	S	M12 x 1	4 poles		
Process connection	015H	1/2" UNI 228/1	Standard		
	008H	1/4" UNI 228/1	On request		
Sensor length connection included	029	29,6 mm	Standard		
	045	45,0 mm	On request		
Materials	K	Wet parts	S.S. 1.4571		
	-	Other parts	Nickel plated brass		
	-	Housing	PA66		
Degree of protection	IP60				
Weight	Kg	0,6			

DIMENSIONS



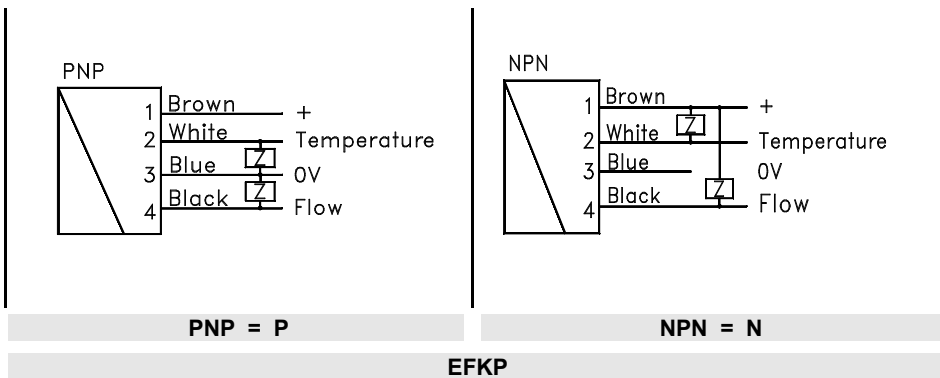
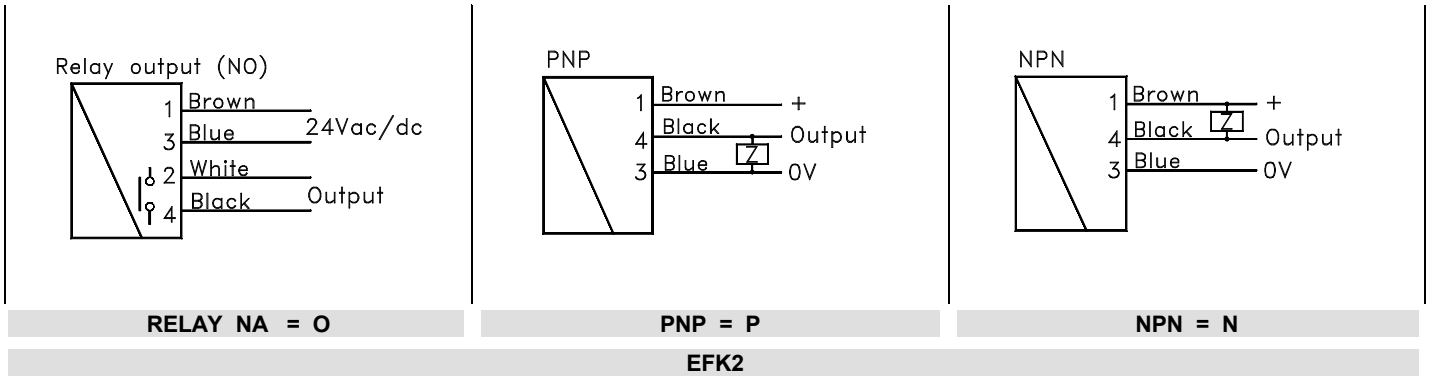
EFK2



EFKP

WIRING

Tab.2



ACCESSORIES ON REQUEST

Tab.3

K	PU	02	S	G	• Standard • Option
K					• Complete cable
KB04					• Cable to make Self makeable
	PU				• Material PUR
		02			• Length 2 m
		05			• Length 5 m
		10			• Length 10 m
			S		• Moulded connector
				G	• Straight connector
				W	• 90° connector



NOMENCLATURE

EFK2	015 H	K	029	P	S	IP65	
•							- Name - Type
	•						Tab.1 Process connection thread and dimension
		•					Tab.1 Wet parts material
			•				Tab.1 Sensor length
				•			Tab.1-2 Electrical output and wiring
					•		Tab.1 Connection
						•	Tab.1 Degree of protection

K	PU	02	S	G	Connection cable	Tab.3	Accessory on request
---	----	----	---	---	------------------	-------	----------------------