

## GENERAL CHARACTERISTICS

The flow switch CR type is designed to control the flow in pipes from DN25 to DN200. The simple installation and robustness make the instrument suitable for use in industrial plants, air conditioning and heating.

The paddle has a displacement proportional to the flow that invests itself, this displacement is transmitted mechanically to a microswitch. The calibration is adjustable via an adjustment screw located inside the housing. Standard accessories of the instrument are 3 paddles for pipes from DN25 to DN80, a fourth paddle, optional, can be provided for diameters larger than DN 100.

- Low pressure loss.
- Adjustment of the switch point.
- Metal bellows seal.
- SPDT Microswitch 250V - 5A
- Can be used from DN25 to DN200

## TECHNICAL DATA

Process connection	1" conical thread UNI 7/1 – DIN 2999		
Accuracy	± 15% F.S.		
Medium temperature	Max. 120°C		
Working pressure	MVS	11 bar static	11 bar dynamic
	KVS	30 bar static	
Average pressure loss	0,08 bar at max. flow rate		
Weight	950 g		

## SETTING RANGES

DN	Q max m <sup>3</sup> /h	MVS		KVS		Paddle N.	Cutting see
		Setting m <sup>3</sup> /h H <sub>2</sub> O	Setting m <sup>3</sup> /h H <sub>2</sub> O	Setting m <sup>3</sup> /h H <sub>2</sub> O	Setting m <sup>3</sup> /h H <sub>2</sub> O		
25	3,6	0,6 - 2	0,2 - 1	1	Tab.1		
32	6	0,8 - 2,8	0,25 - 1,4	1	-		
40	9	1,1 - 3,7	0,5 - 1,9	1+2	Tab.1		
50	15	2,2 - 5,7	0,9 - 3,6	1+2+3	Tab.1		
65	24	2,7 - 6,5	1,2 - 4,9	1+2+3	Tab.1		
80	36	4,3 - 10,7	2,1 - 7,4	1+2+3	-		
100	60	11,4 - 27,7	4,9 - 17,1	1+2+3	-		
		6,1 - 17,3	3,3 - 11,6	1+2+3+4	Tab.2		
150	120	35,9 - 81,7	13,6 - 47,6	1+2+3	-		
		12,3 - 30,6	6,1 - 21,4	1+2+3+4	Tab.2		
200	240	72,6 - 165,7	25,7 - 90,1	1+2+3	-		
		36,6 - 90,8	21,7 - 55,3	1+2+3+4	Tab.2		

Setting ranges for horizontal mounting and decreasing flow.

## ELECTRICAL DATA

Contact	SPDT	Microswitch
Contact ratings	250V - 15A	
Housing and cable gland	ABS	PG 13,5
Degree of protection	IP 65	

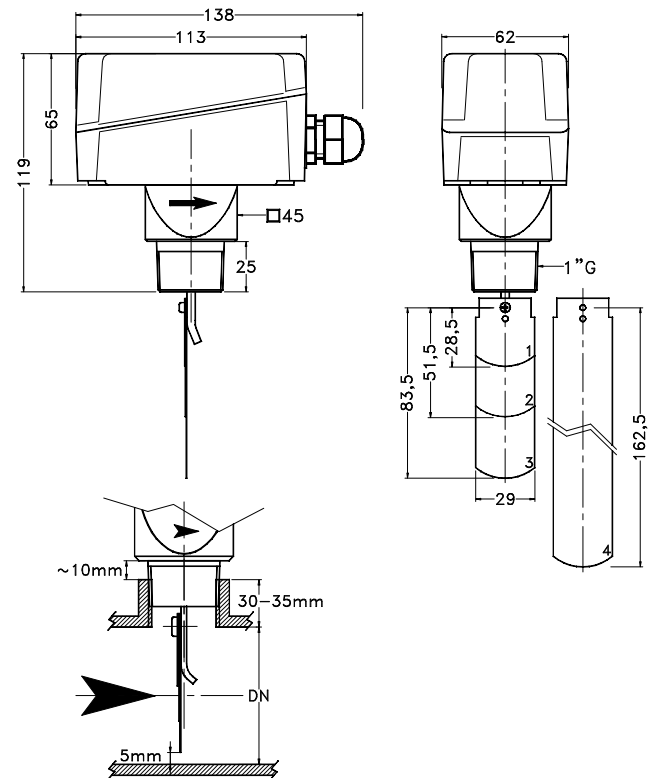
## NOMENCLATURE AND MATERIALS

	CR - MVS	CR - KVS
Body	Brass	Stainless steel 1.4571
Paddle	Stainless steel 1.4571	Stainless steel 1.4571
Paddle holder	Brass	Stainless steel 1.4571
Bellow	Tombacco	Stainless steel 1.4571



## DIMENSIONS

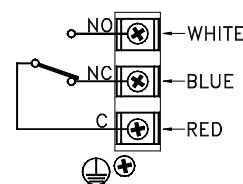
Tab. 1



Check that the paddle does not touch the bottom of the pipe.  
If necessary cut it and adjust at the length as indicated

## WIRING AND SETTING

Tab. 2



### Set point adjustment

Remove the top cover and rotate clockwise the calibration screw to increase the sensitivity.

- Paddle 1 DN25
- Paddle 2 DN50
- Paddle 3 DN80
- Paddle 4 DN100 cut at 92 mm  
DN125 cut at 117 mm  
DN150 cut at 143 mm  
≥ DN175 paddle 4