

## GENERAL CHARACTERISTICS



This flow switch is designed to control the flow of air in pipes or pipelines for the monitoring of the presence of flow. Easy to install, mechanically robust and cheap. The paddle has a displacement determined by the flow of air that strikes it, the movement is magnetically transmitted to a microswitch. The switch is equipped with 3 paddles for pipes from DN25 to DN80, a fourth paddle is available for diameters larger than DN 100.

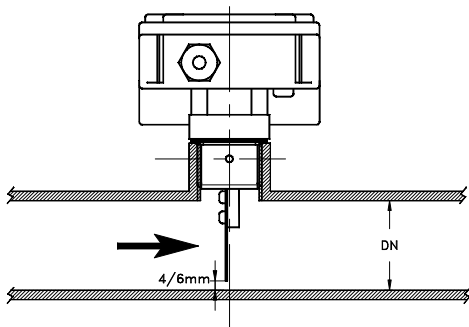
- **Fixed setting for very low flow rate**
- Low pressure loss.
- Hermetic separation between mechanical and electrical parts.
- Electric head removable and replaceable.
- SPDT Microswitch 250V - 5A



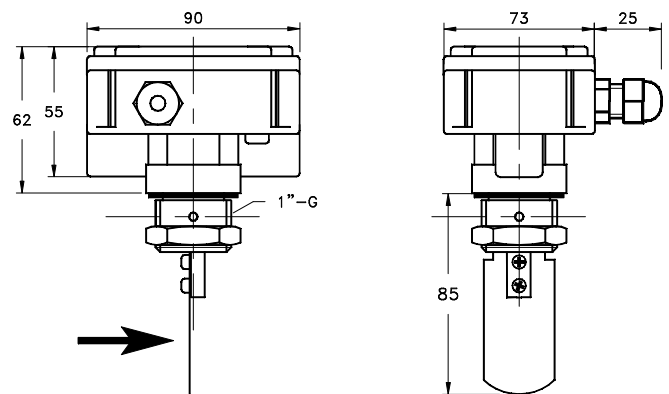
## TECHNICAL DATA

Setting	Flow rate presence
Medium temperature	Max. 180°C
Working pressure	Max. 15 bar
Weight	0,9 Kg

Installation only on horizontal pipes



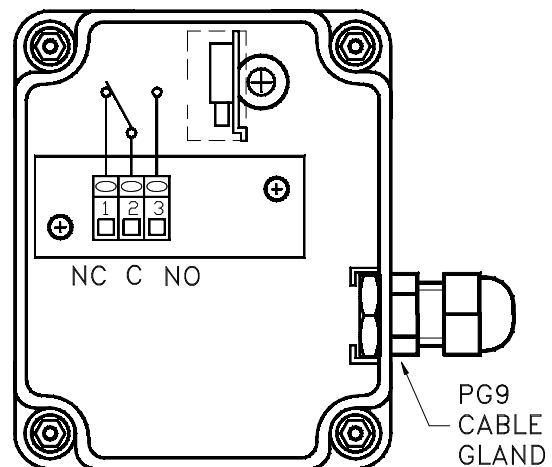
## DIMENSIONS



## ELECTRICAL DATA

Contact	SPDT	Microswitch
Contact ratings	250V - 5A	
Electrical connection	Terminal board	PG9 cable gland
Degree of protection	IP 65	

## WIRING



## NOMENCLATURE AND MATERIALS

	FPA - 025GO	FPA - 025GS
Body	Brass	S.S. 1.4571
Paddle	S.S. 1.4571	S.S. 1.4571
Paddle holder	Brass	S.S. 1.4305
Protection bellow	PTFE	PTFE
Magnet	Alnico	Alnico

We reserve the right to change the data without notice

BE#148/0-03/2007

