



Primary Flowpoints

Style W Sight Glass

This circular sight glass is ideal for you to visually check the presence, colour and condition of a liquid.

- ◆ Welded and bolted styles available
- ◆ High quality robust design
- ◆ High temperature and pressure ratings
- ◆ Short lead times
- ◆ Designed and manufactured in the UK.



Application

This model is designed to provide a window for viewing the contents of a vessel or tank. Normally these are welded to the tank, but can be supplied suitable for bolting to a vessel or a pipe flange if required. The windows are either toughened soda lime or toughened borosilicate glass to suit the contents of the vessel.

Materials of Construction

Back Pad - Stainless steel BS EN 10088-3:1995 1.4404/1.4401

- Carbon steel A350 LF2 / ASTM A105

Covers - Stainless steel ASTM A351 CF8M (316)

- Mild steel grade S355J2+N

Glasses - Toughened Soda Lime

- Toughened Borosilicate

Internal Gasket - PTFE

External Gasket - Klingersil C4400

Edge Protector - Klingersil C4400

Fasteners (Standard) - A2 Stainless steel

(High Pressure) - High Tensile Steel

Maximum Working Pressure

Toughened Soda Lime: Standard Unit - 16 Bar

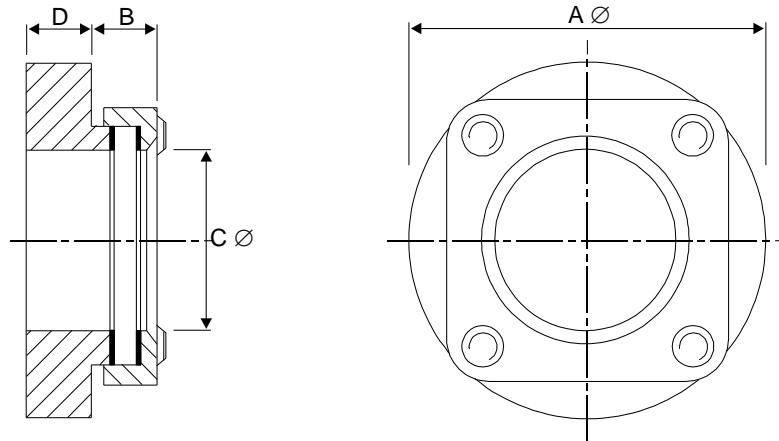
High Pressure Unit - 40mm-100mm - 40 Bar, 150mm - 25 Bar

Toughened Borosilicate: Standard Unit - 6 Bar

High Pressure Unit - 40mm-100mm - 16 Bar, 150mm - 10 Bar

Dimensions

NOMINAL BORE (mm)	A	B	C	D	CARBON STEEL	STAINLESS STEEL
40	78	14	42	15	CW-040	SW-040
50	88	15	48	15	CW-050	SW-050
65	112	20	62	20	CW-065	SW-065
80	138	22	77	24	CW-080	SW-080
100	164	29	100	24	CW-100	SW-100
150	240	38	150	30	CW-150	SW-150
200	340	55	200	30	CW-200	SW-200



Quality

All Flowpoints indicators are manufactured to the highest standards.
The quality system is independently audited by BSI and certified to ISO 9001.
Full material traceability is maintained, material certificates are supplied on request.