

GENERAL CHARACTERISTICS

MODULAR level switch with 1 electrical contact. The user is able to obtain a level switch of the desired length interposing an extension pipe between the control unit and the process fitting. The electrical contact inside the control unit is sealed and immersion proof. The assembly kit can be selected from a wide series of options that allows the user to adapt it to the most common types of installation.

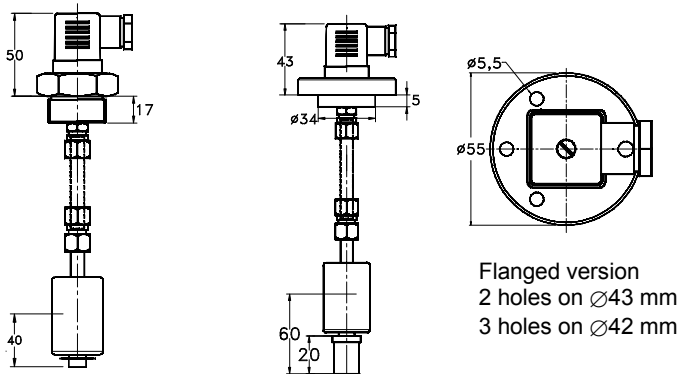
- Closed cell float.
- Sealed contact and immersion proof.
- Easy mounting, threaded or flanged.
- Pipe and fittings kit for assembling.
- Operating ambient temperature -30 / +55 ° C, RH 90%
- DIN 43650 Plug.
- Minimum degree of protection IP65.



COMPOSITION OF THE KIT Tab.1

Component		Description								Code		
Control unit	S1	SPANSIL – Butadiene Acrylonitrile Copolymer closed cells								B45		
Nickel plated brass	B	Float		Ø 30 x 45 mm		S.G. 0, 35		20 Bar		-		
1/8" GAS male thread	-	Electrical contact	SPST	N.C.	N.O. Overturning the float of 180°			250V	80W	80VA	1,3A	4
Cable length 4 m	4M		SPDT	Changeover contact			230V	60W	60VA	1,0A	7	
Process connection	Brass	Threaded	1" UNI 228/1 male thread			SW 40			25GO			
		Flanged	Double fixing (2 or 3 holes)			Ø 55 mm			FOPX			
Fitting assembly		N.1	1/8" Gas-female thread			N.1	1/8" Gas-male thread			-		
Electrical output		DIN 43650 Plug					IP 65			S1		
Max. temperature °C		105 °C								L		
Sealing gasket		NBR flat gasket								1		
Built-in thermostat °C	On request	30	40	50	60	70	80	90	100	N.O. °CT1 N.C. °CT2		
Extension pipe Ø 8 mm	On request	Brass	0500 mm.		1000 mm.		1500 mm.		KIT.Pipe			

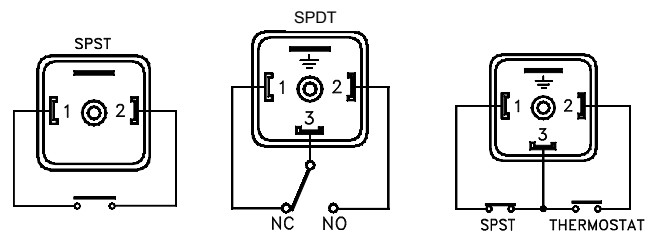
DIMENSIONS



WIRING Tab.2

With the thermostat option the customer must define the level contact status. Level contact and the thermostat contact are common wired.

I	C	1	2	3
Independent	Common	NO	NC	SPDT
Wiring		Contact status in no level condition		



NOMENCLATURE

KIT.S1	B45	4	B	25GO	S1	L	1	I2	60T1	4M
•										
	•									
		•								
			•							
				•						
					•					
						•				
							•			
								•		
									•	
										•
KIT/S1.B45 PIPE				1000						

Type
Tab.1 Float
Tab.1 Electrical contact
Tab.1 Control unit rod material
Tab.1 Process connection
Tab.1 Electrical output
Tab.1 Temperature class
Tab.1 Sealing gasket
Tab.2 Wiring
Tab.1 Thermostat (on request)
Tab.1-2 Cable length
Tab.1 Extension pipe length