



GENERAL CHARACTERISTICS

The flow indicator ON allows a visual control of the passage of liquids with impurities or coloured. A visual check for low flow and for leakage. The construction is robust with brass body and glass viewer pipe.

- Viewer pipe in natural glass.
- Easy to install.
- Robust construction.



TECHNICAL DATA

Tab.1

Ø	DN Code	Q max. l/min	P max Bar	T max °C	D mm	AF mm	X mm	Weight Kg
1/4"	008	15	6	70	5	19	11	0,08
3/8"	010	20	6	70	8	27	11	0,16
1/2"	015	40	6	70	12	32	10	0,20

Dimensions - See Tab.3

Thread Ø

G	UNI 2828/1
	Parallel

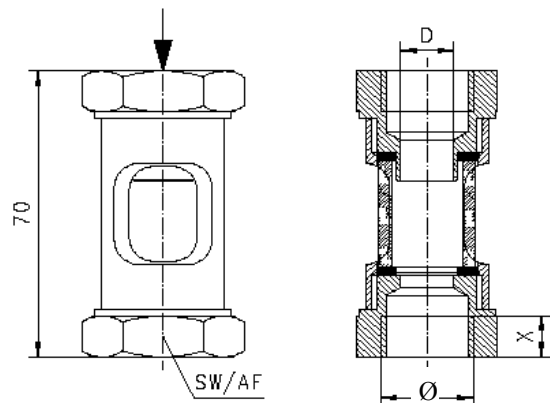
MATERIALS

Tab.2

	Description	Code
Body	Brass	M
Viewer pipe	Natural glass	

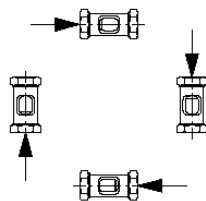
DIMENSIONS

Tab.3

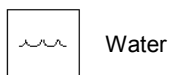


MONTAGGIO

The mounting can take place in any position, with the only precaution to avoid the connection with rigid pipes if not in perfect alignment with the instrument.



LIQUIDI



Water



Oil

NOMENCLATURE

ON	015G	M	
•			Type
	•		Tab.1 Process connection dimensions and thread
		•	Tab.2 Body material

