

GENERAL CHARACTERISTICS



Level controls with 1 electrical contact, reliable, compact and easy to install. Designed to offer a range of level switches to meet the request for a cheap monitoring of the level in small tanks. Rugged construction and low maintenance.

- **Stainless steel – AISI 316**
- Easy mounting, threaded or flanged.
- Hermetic and replaceable electrical contact.
- Operating ambient temperature -30 / +55 ° C - 90% R.H.
- Minimum degree of protection IP65.



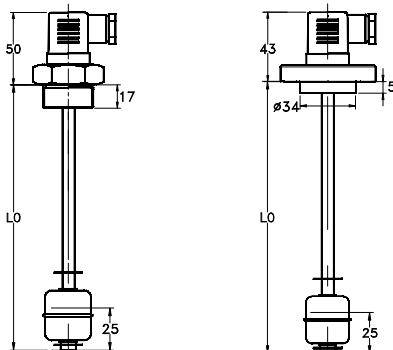
TECHNICAL DATA

Tab.1

		Description								Codice
Float	Ø 30 x 32 mm	P.S. 0, 75			30 Bar			S29		
	Ø 30 x 32 mm	P.S. 0, 55			10 Bar			S32		
Rod length L0 mm	0100	0150	0200	0250	0300	0350	0400	0450	0500	L0.S
Process connection	Threaded	1" UNI 228/1 male thread					SW 40		25GS	
	Flanged	Double fixing (2 or 3 holes)					Ø 55 mm		FSPX	
Process connection	SPST	N.C.	N.A.	Overturning the float of 180°	300 VAC	50W	70VA	0,5A	0,7A	3
	SPDT	Changeover contact			150V	20W	20VA	0,5A		7D
Electrical output	DIN 43650 plug					IP 65				S1
Max. temperature °C	105°C								L	
Sealing gasket	Viton flat gasket								2	

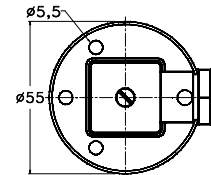
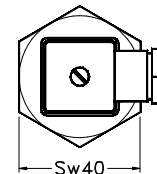
DIMENSIONS

Tab.2



Threaded version
1" UNI-228/1 male

Flanged version
2 holes on Ø43 mm
3 holes on Ø42 mm

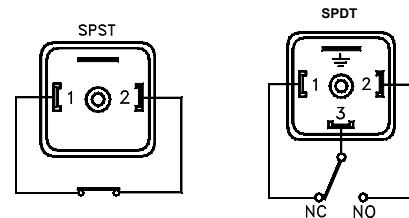


WIRING

Tab.3

I = Independent C = Common
Wiring

2 = NC 3 = SPDT
Contact status in no level condition



NOMENCLATURE

S1	S29	3	0500	S	25GS	S1	L	2	I2
•									
	•								
		•							
			•						
				•					
					•				
						•			
							•		
								•	
									•

Type
Tab.1 Float
Tab.1 Electrical contact
Tab.1 Total length = L0 mm.
Tab.1 Rod material
Tab.1 Process connection
Tab.1 Electrical output
Tab.1 Temperature class
Tab.1 Sealing gasket
Tab.3 Wiring