

GENERAL CHARACTERISTICS



Variable area flow meter for the measurement of both liquid and gaseous fluids. The mounting is vertical with flow from bottom to top.

- Unbreakable.
- Body made of acrylic material.
- Dual measuring scale screen-printed on the body.
- Fixing fittings made of PVC.
- Low pressure loss.



TECHNICAL DATA

Tab.1

	DN	UK - 047			P max bar	T max °C		
		Measuring range - Dual scale		Code				
H ₂ O	1/2" NPT	2 - 10	l/min	120 - 600	l/h	W0010	6	65
		2 - 20	l/min	120 - 1200	l/h	W0200	6	65
		4 - 40	l/min	240 - 2400	l/h	W0400	6	65
Air	1/2" NPT	80 - 340	NI/min	4800 - 20400	NI/h	L0034	6	65
		100 - 700	NI/min	6000 - 42000	NI/h	L0070	6	65
		150 - 1500	NI/min	9000 - 90000	NI/h	L0150	6	65
Precision		± 3% F.S.						

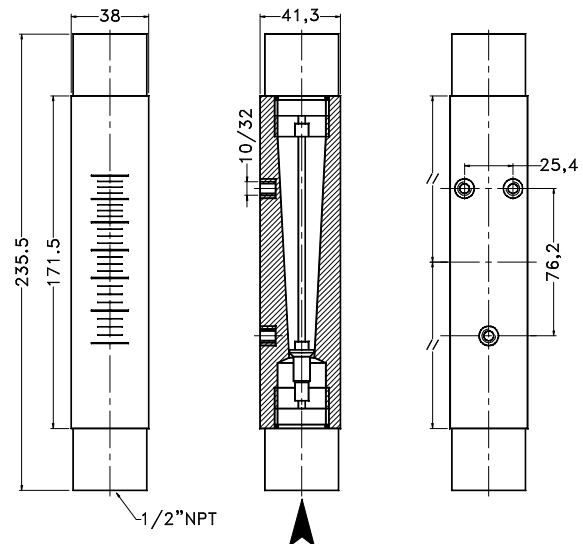
MATERIALS

Tab.2

Description	Code
Body	GH
Float	Aluminium / Stainless steel
Female connections	PVC
Gaskets	NBR

DIMENSIONS

Measures in mm.



NOMENCLATURE

UK	047	GH	W0400		
•				Tab.1	Name
	•			Tab.1	Type
		•		Tab.2	Material
			•	Tab.1	Measuring range

