

## GENERAL CHARACTERISTICS



Variable area flow meter for the measurement of both liquid and gaseous fluids. The mounting is vertical with flow from bottom to top.

- Unbreakable.
- Body made of acrylic material.
- Measuring scale screen-printed on the body.
- Fixing fittings made of PVC.
- Low pressure loss.
- Optional control valve.



**UKV-050**

## TECHNICAL DATA Tab.1

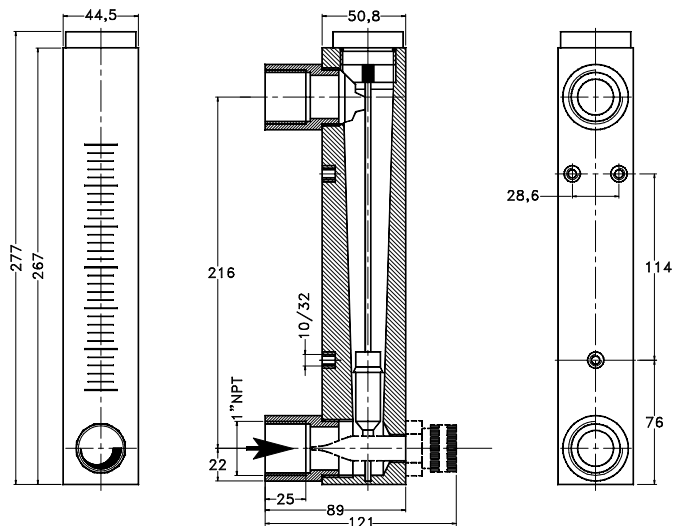
	DN	UK - 050			P max bar	T max °C
		Measuring range	Q max	Code		
H <sub>2</sub> O	1" NPT	1 - 19 l/min	21 l/min	<b>W0019</b>	6	65
		4 - 36 l/min	44 l/min	<b>W0036</b>	6	65
		5 - 75 l/min	90 l/min	<b>W0075</b>	6	65
Air	1" NPT	100 - 700 NI/min	850 NI/min	<b>L0700</b>	6	65
		100 - 1400 NI/min	1700 NI/min	<b>L1400</b>	6	65
		400 - 3000 NI/min	4000 NI/min	<b>L3000</b>	6	65

Precision ± 2% F.S.

## MATERIALS Tab.2

Description	Code
Body	Acrylic
Float	Stainless steel
Female fittings	PVC
Gaskets	NBR
Valve – (option)	Brass
Code	<b>UKV</b>

## DIMENSIONS Measures in mm.



## NOMENCLATURE

UK	050	GH	L1400
•			
	•		
		•	
			•

Tab.1-2	UK UKV with valve option
Tab.1	Type
Tab.2	Material
Tab.1	Measuring range