


GENERAL CHARACTERISTICS

Temperature probe in compact executions IP54, for a simple and efficient control of temperature in industrial applications. PT100 - PT1000 - NiCr-Ni sensors are available.

- Compact size.
- Rugged construction.
- Easy to install.
- Minimum degree of protection IP65.
- ATEX executions  ntrinsically safe, on request.

TECHNICAL DATA Tab.1

PT100 - PT1000			Dual PT100		
2 - 3 - 4 wires			2 x 2 wires		
-50 ... + 400 °C	Rigid pipe		-50 ... + 400 °C	Rigid pipe	
-50 ... + 600 °C	Flexible pipe			Rigid pipe	
Class	B	standard	Class	B	standard
Class	A	On request	Class	A	On request
DIN EN 60751			DIN EN 60751		

PT1000 for low temperature, -200...+200 °C range, on request

PROCESS CONNECTIONS AND MATERIALS Tab.2

Dimensions			Thread		
15	10	08	G	C	N
1/2"	3/8"	1/4"	UNI 228/1	UNI 7/1	NPT
Other sizes on request			On request		

Materials					
PT100/1000			NiCr-Ni		
V4A (316-L 1.4404)	S		Inconel 600	N	

ELECTRICAL OUTPUT Tab.4

Code	DIN B - Painted aluminium head - IP65	°C max
00	Without transmitter	200
RT420	4 - 20 mA	85
	Programmable range	
T03BU	0 - 10 V	85
	Range to be defined	
GITT	4 - 20 mA	85
	4 - 20 mA	85
	4 - 20 mA	85
4 - 20 mA	85	
		Programmable range
GITT-EX	ATEX Certificate II 1G Ex ia IIC T6/T5/T4	85

With transmitter, over 85 °C, it is necessary the use of a heatsink spacer.

NOMENCLATURE

VSTH	PT100B	15GS	06	0100/0100	RT420 / IP65
•					
	•				
		•			
			•		
				•	
					•

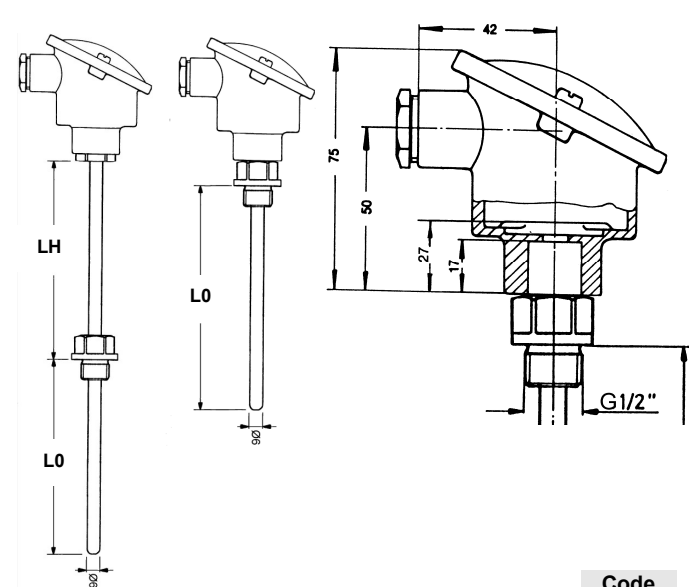


NiCr-Ni		NiCr-Ni	
2 wires		2 wires	
-200...+ 1000 °C	Rigid pipe	-200...+ 1000 °C	Rigid pipe
-200...+ 1150 °C	Flexible pipe	-200...+ 1150 °C	Flexible pipe
Class	1	Class	1
	K type		K type
DIN EN 60584-2		DIN EN 60584-2	

PROBE DIMENSIONS Tab.3

PT100 - PT1000		NiCr-Ni	
6 mm.	Standard	6 mm.	Standard
Ø 3, 4, 5, 8 mm	On request	Ø 3 mm.	On request
Reduced terminal part mm			

DIMENSIONI Tab.5



	Code
Probe length	L0 100 mm. 0100
Spacer	LH 100 mm. 0100

Other L0 or LH lengths on request.
The heatsink spacer is required in versions for high temperature.