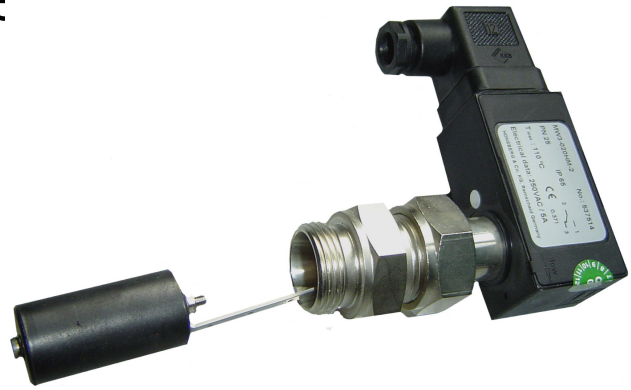


GENERAL CHARACTERISTICS



This level switch, for reduced size and simplicity of installation, offers a reliable solution for the control of liquids in all applications where it is necessary to mount a lateral type.

- Microswitch
- Adjustable calibration
- Maximum working pressure 25 Bar
- Maximum working temperature 110 °C
- Degree of protection IP65



DATI TECNICI Tab.1

DN	Process connection	Float - B21 S.G.	Max. pressure Bar	Max temperature °C	Hysteresis mm	Weight g
20	3/4"	0,8	25	110	max. 6	400

Male thread

G	Parallel UNI 228/1
----------	-----------------------

Body material

B	T
Nickel plated brass	AISI-304
	On request

Float and lever mechanism material

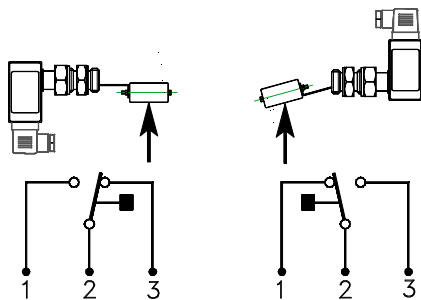
B21	Rod
Spansil	AISI-304

ELECTRICAL CONTACT Tab.2

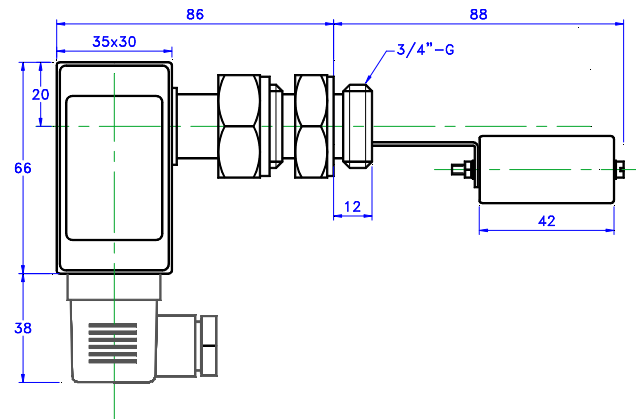
TYPE Microswitch	Voltage	Current	
		AC	DC
SPDT	250V	5A (cosφ=1)	3A

WIRING Tab.3

		Code
Plug	DIN 43650-A	S1
Wiring	See drawing	0374
Protection	-	IP65



DIMENSIONS mm.



NOMENCLATURE

L1	B21	MW3	7	20	GB	S1	IP65	0374	
•									- Lateral mounting – 1 electrical contact
	•								Tab.1 Float
		•							- Type
			•						Tab.2 Microswitch
				•					Tab.1 Process connection dimension
					•				Tab.1 Process connection, thread and body material
						•			Tab.3 Electrical output
							•		Tab.3 Degree of protection
								•	Tab.3 Wiring and contact status